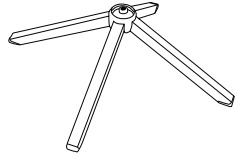


### Material Identification



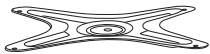
**A**  
1 pcs.  
Base



**B**  
1 pcs.  
column anchor



**C**  
1 pcs.  
column



**D**  
1 pcs.  
flange

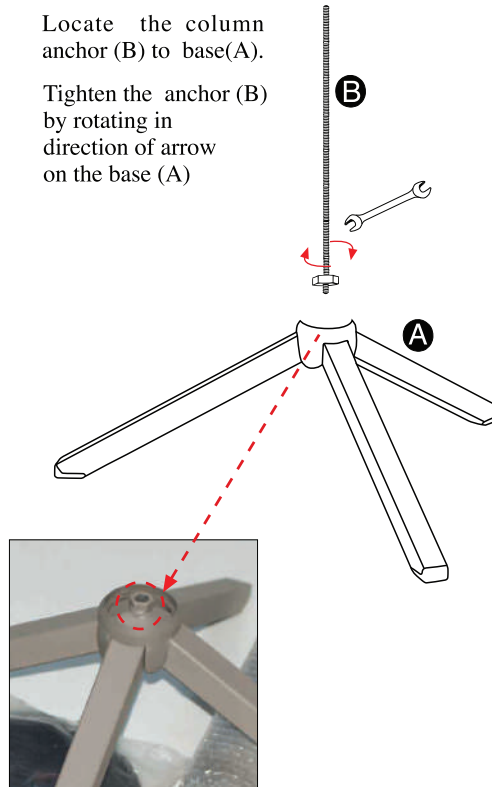


**E**  
1 pcs.  
nut

**1**

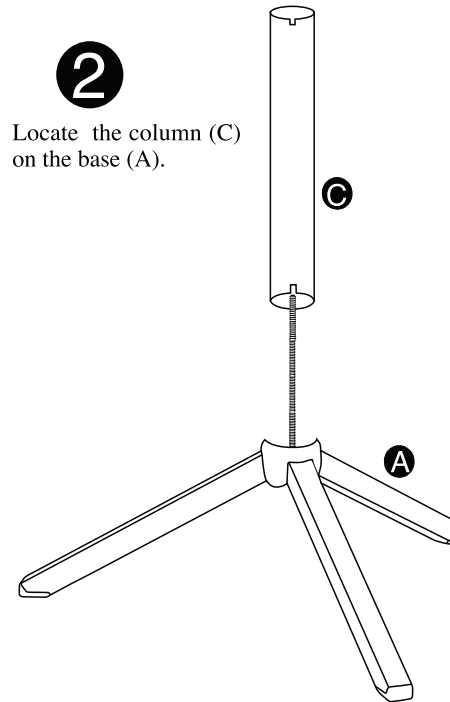
Locate the column anchor (B) to base (A).

Tighten the anchor (B) by rotating in direction of arrow on the base (A)



**2**

Locate the column (C) on the base (A).



fixing position

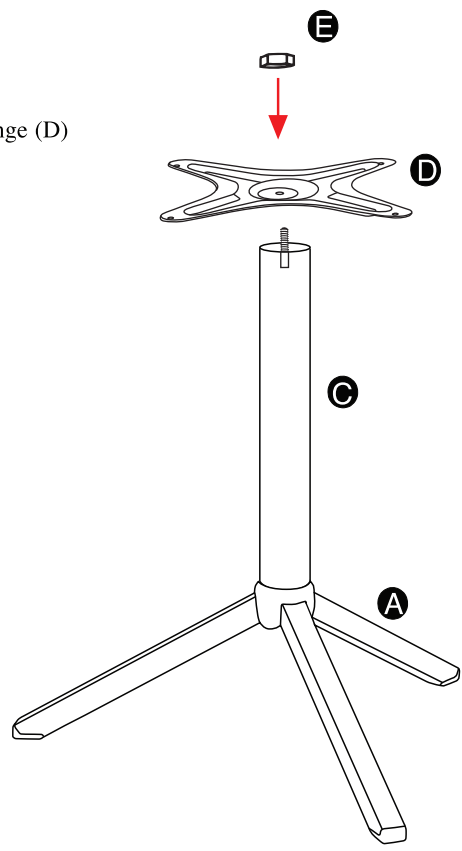


### Caution!

make sure before fixing column (C) and base (A) standing in the right position. While locating the column(C) to base (A) the nails on the base have to meet the notch on the column.

**3**

Locate the flange (D)  
to column (C).



**4**

Tighten the (E) nut by  
rotating in direction of row  
and fasten the (D) flange

