

## WOX BASE ASSEMBLY INSTRUCTION

### Material Identification

**A** m6x10 screw 4 pcs.



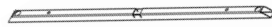
**B** m6x20 screw 12 pcs.



**C** m6x28 screw 5 pcs.



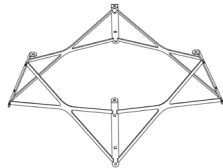
**D** profile-1 1 pcs.



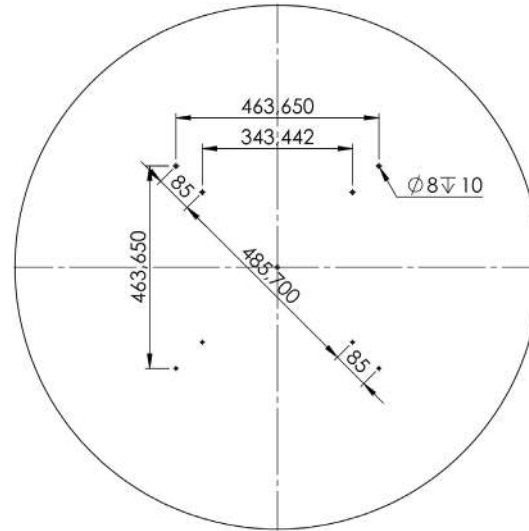
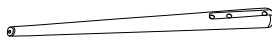
**E** profile-2 1 pcs.



**F** metal frame 1 pcs.



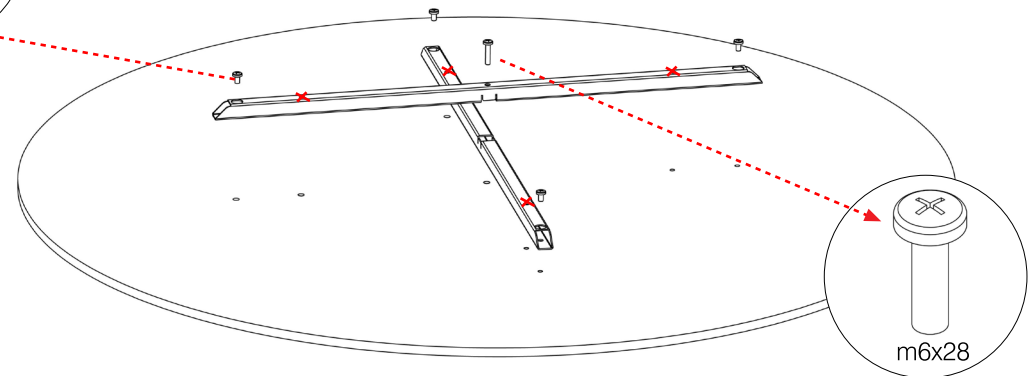
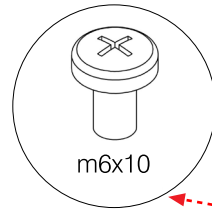
**G** wood leg 4 pcs.

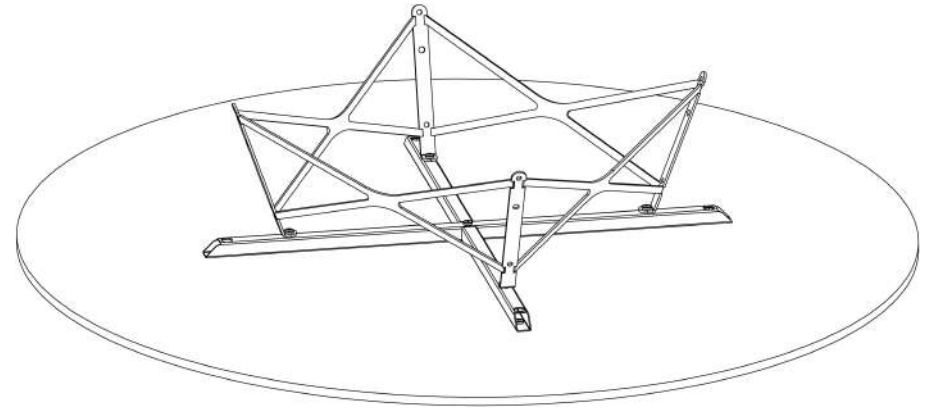
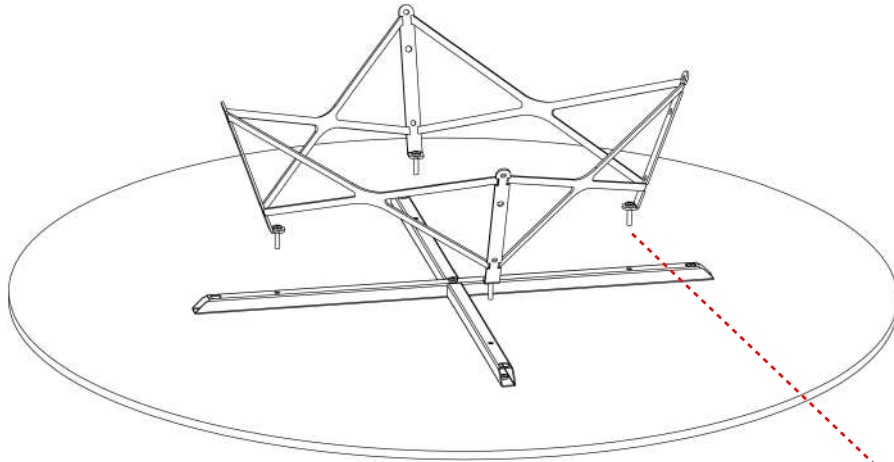


### Hole position for top

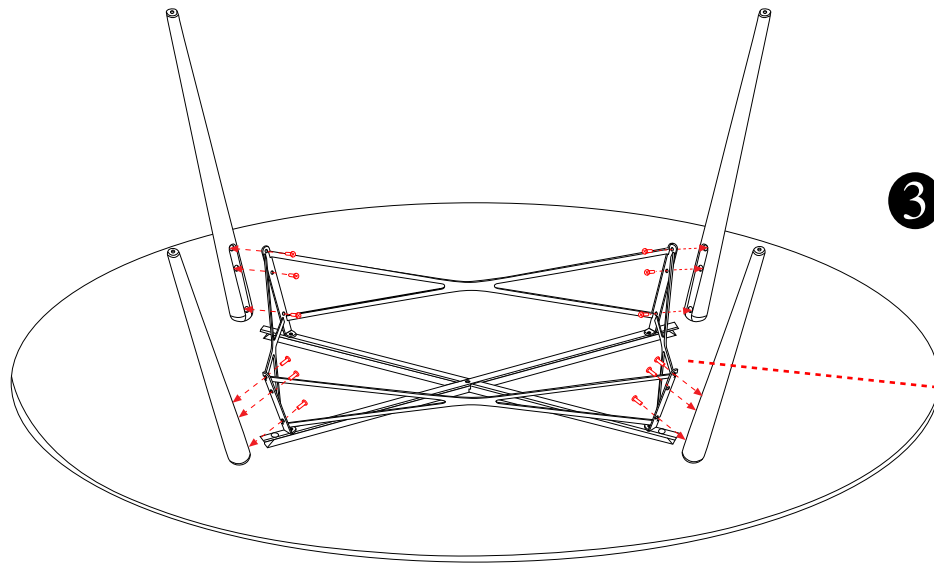
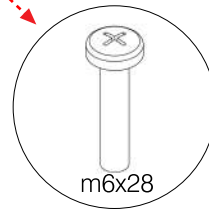
Before beginning the installation drill the table top according to references located on the left side.

- Fix the metal profile-1(D) on the table top with **m6x10(A) screws** to holes in the profile's end points. The next step is insert the metal profile-2(E) on metal profil-1(D) and fix **m6x10(A) screws** to end points. Fix the intersection points of both of metal profiles (D and E) with **m6x28 (C) screws**.





**2** Fix the metal frame(F) to metal profiles with the help of **m6x28(C)** screws.



**3** Lasty, fix the wood legs(G) to metal frame(E) with the help of **m6x20(B)** screws.

