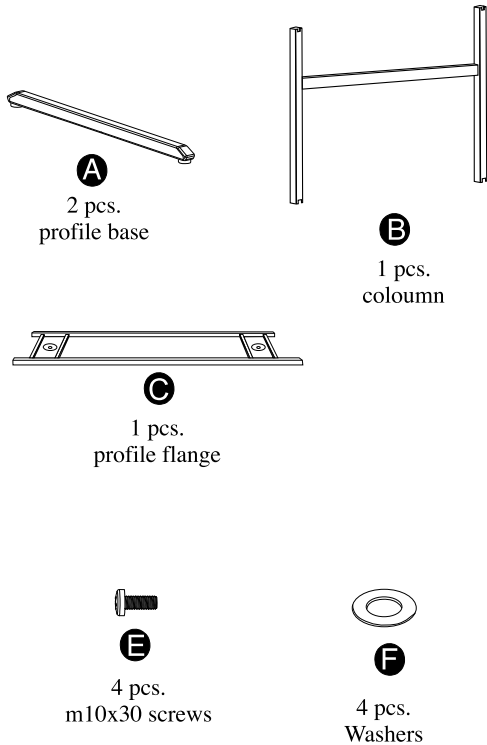
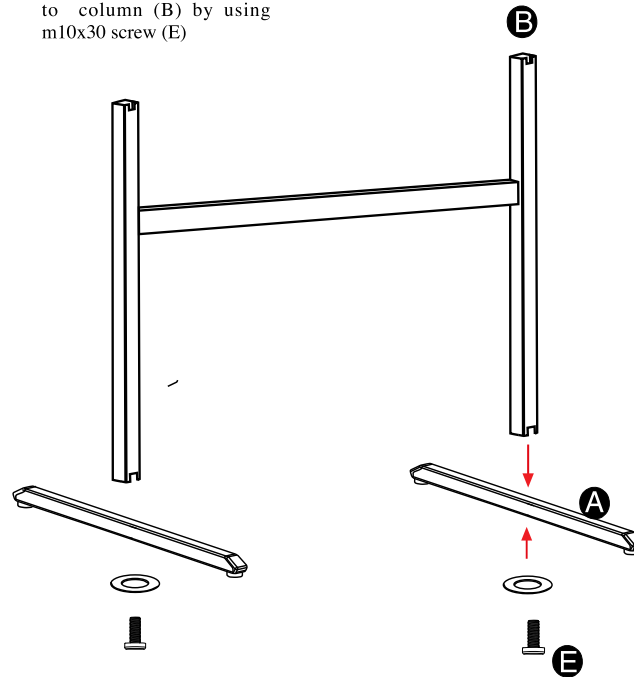


### Material Identification



**1**

Locate the profile bases (A) to column (B) by using m10x30 screw (E)



**2**

Locate the profile flange (C) to column (B) by using m10x30 screw (E)

