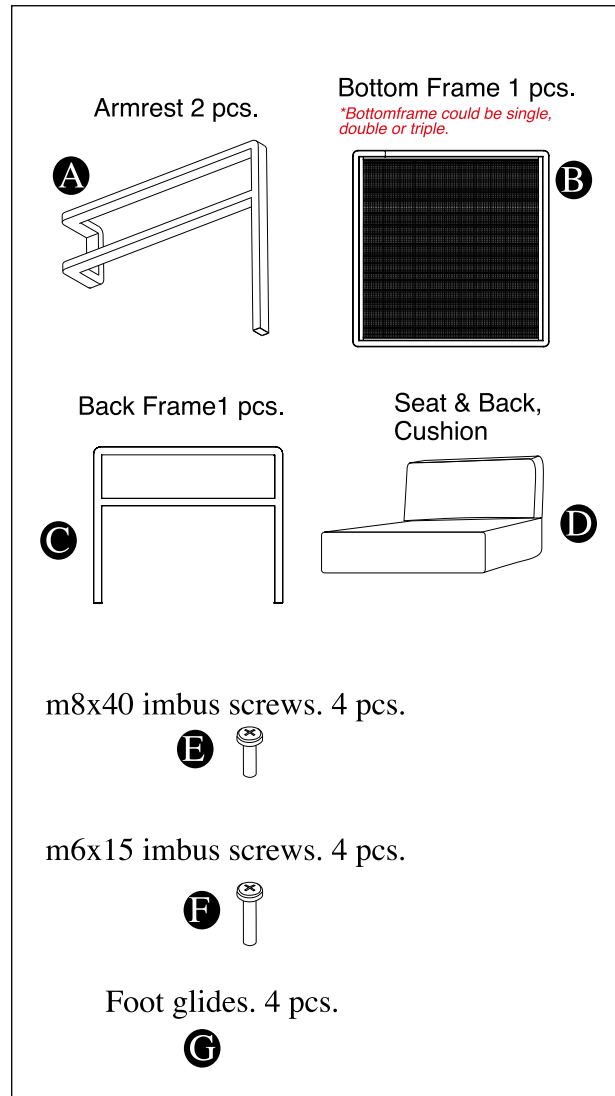
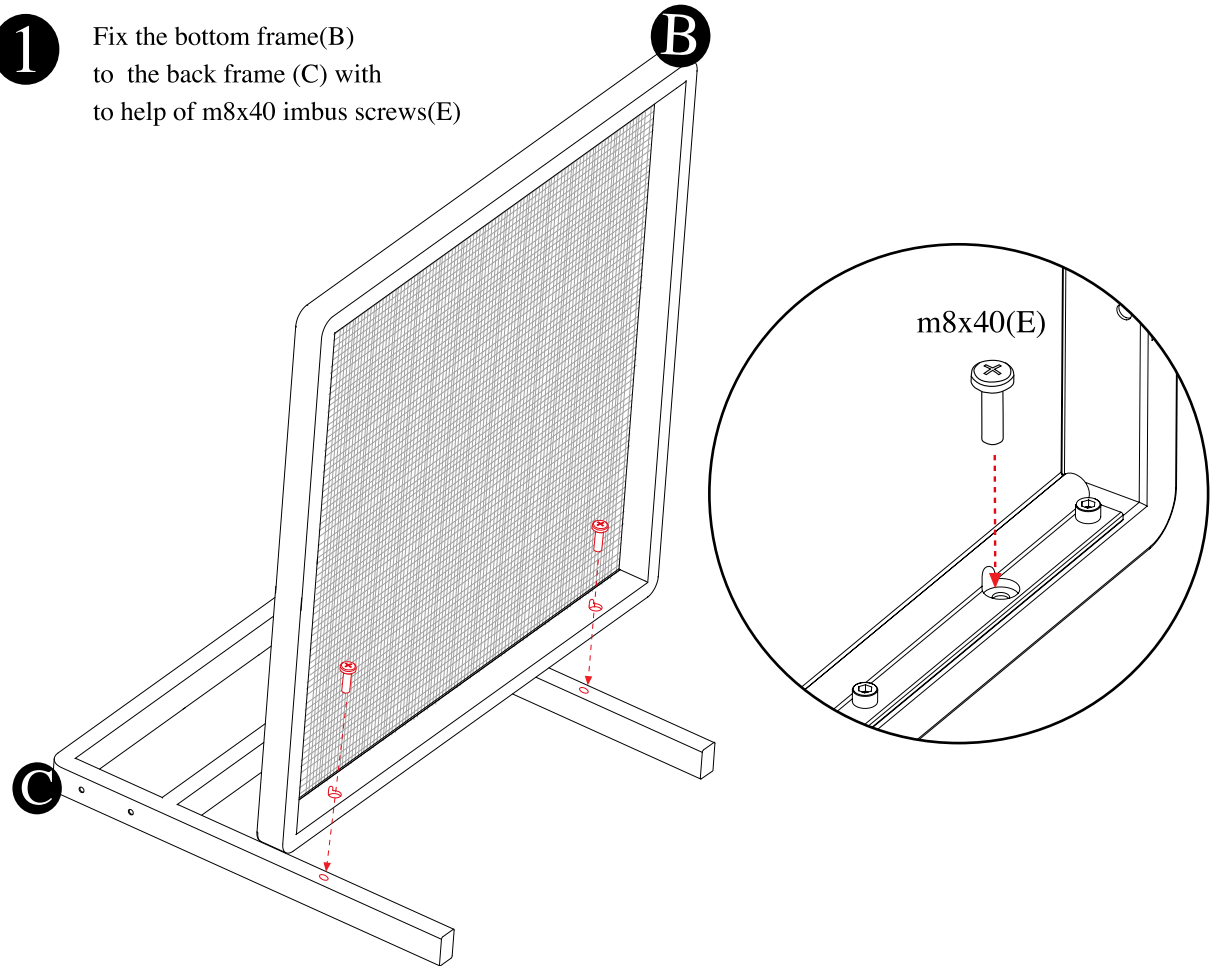
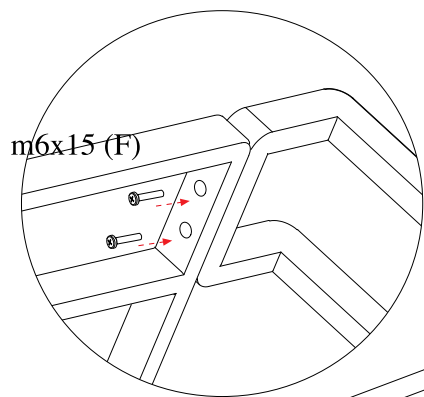


Material Identification



1 Fix the bottom frame(B) to the back frame (C) with to help of m8x40 imbus screws(E)





- 2** Fix the armrest(A) to the base with to help of m6x15 imbus(F) and m8x40 imbus screws(E).

