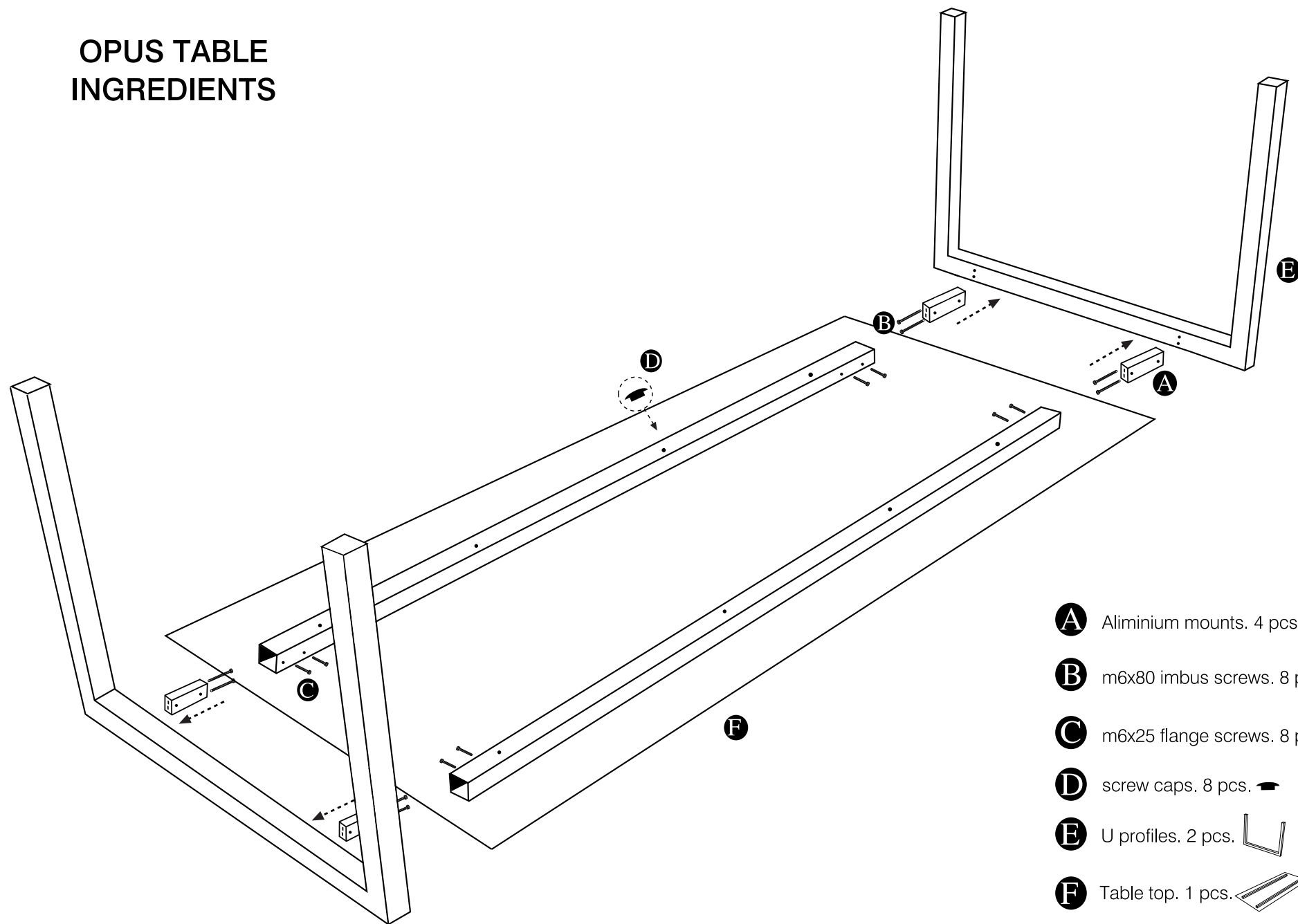
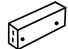







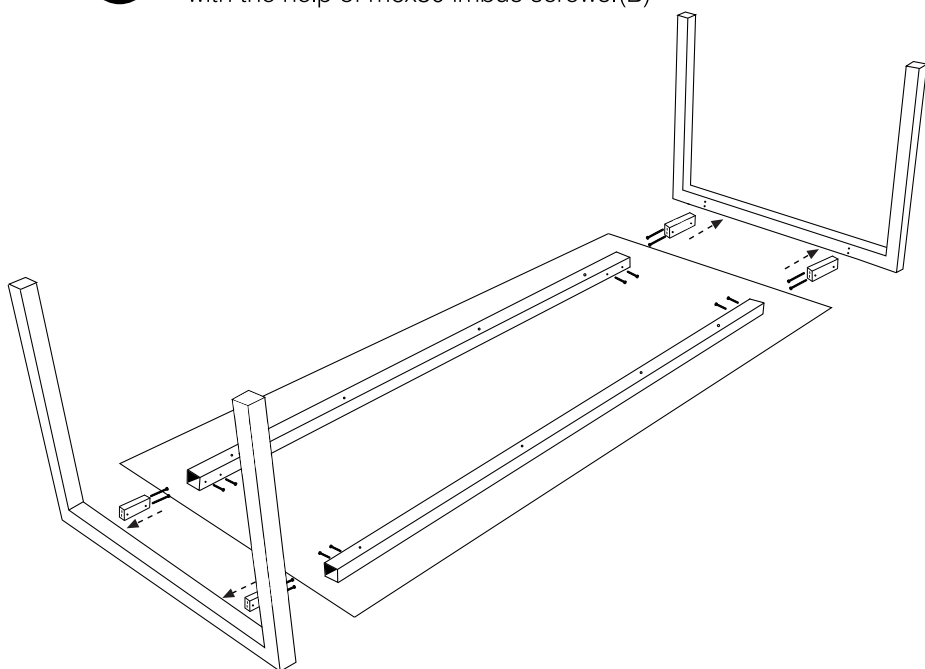
OPUS TABLE INGREDIENTS



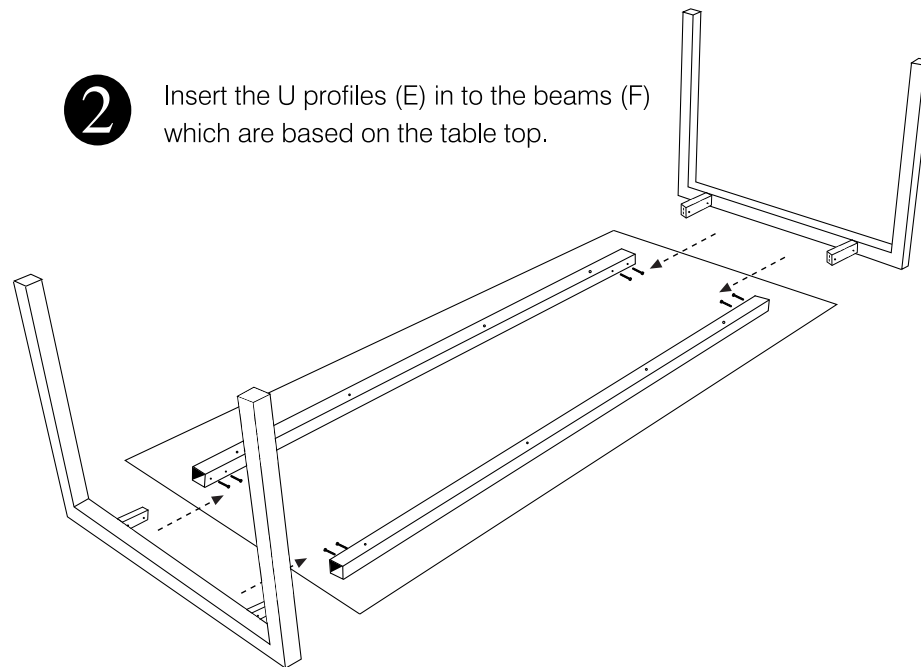
- A** Aluminium mounts. 4 pcs. 
- B** m6x80 imbus screws. 8 pcs. 
- C** m6x25 flange screws. 8 pcs. 
- D** screw caps. 8 pcs. 
- E** U profiles. 2 pcs. 
- F** Table top. 1 pcs. 

OPUS TABLE ASSEMBLY INSTRUCTION

- 1** Fix the aluminium mounts (A) on the U profiles (E) with the help of m6x80 imbus screws. (B)



- 2** Insert the U profiles (E) in to the beams (F) which are based on the table top.



- 3** Tighten the m6x25 flange screws (C) with the help of key/wrench. Insert the screw caps (D) in to the holes that based on the beams.

