

Material Identification

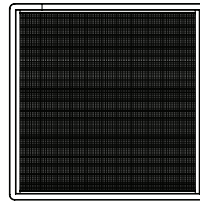
A Metal Leg 4pcs.

number of leg into the cardboard package might change according to the final set view.



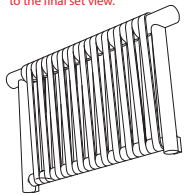
B Bottom Frame 1pcs.

Bottom frame could be single, double or triple.

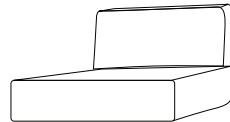


C Armrest&Backrest

number of armrest into the cardboard package might change according to the final set view.



D Seat & Back Cushion



E hexagon carriage bolt m8x33



F m10x60mm



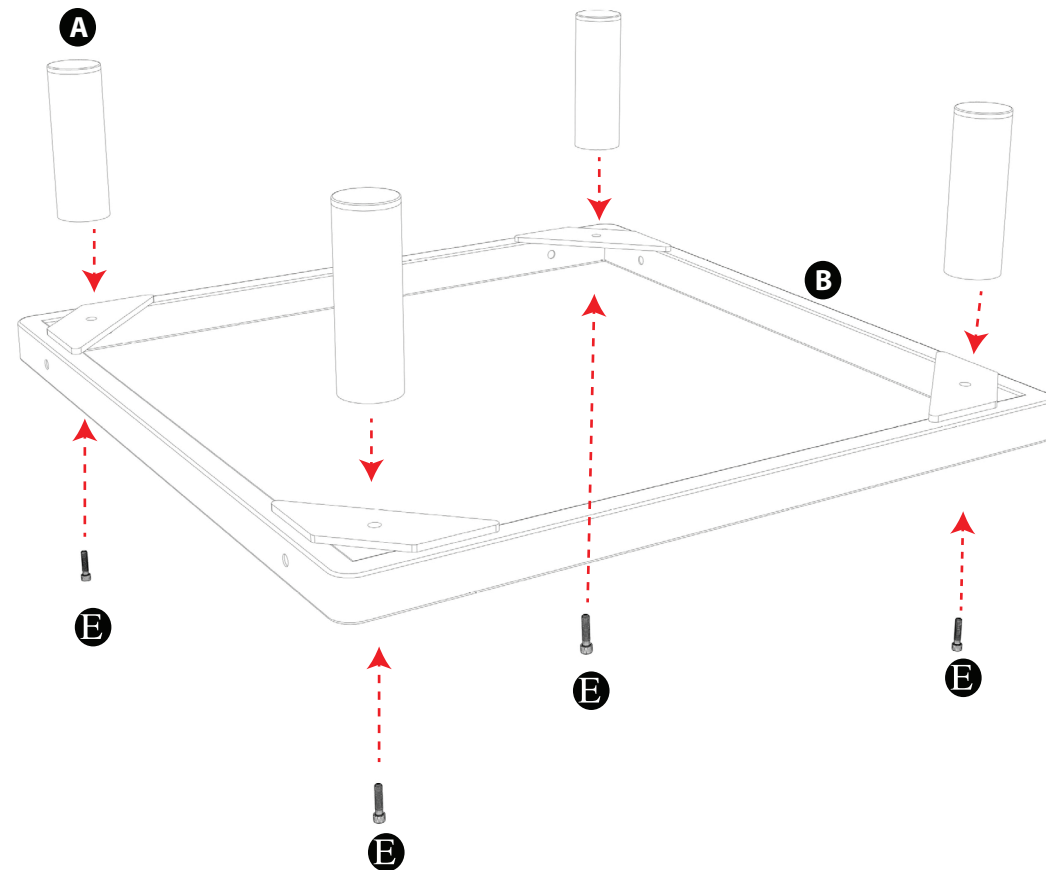
G m6x22mm



H connection part



1 Fix the legs (A) to the bottom frame (B) with to help of m8x33.



Material Identification

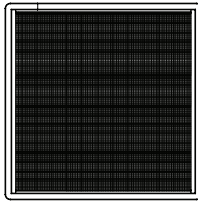
A Metal Leg 4pcs.

number of leg into the cardboard package might change according to the final set view.



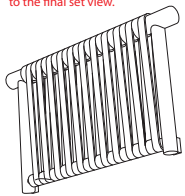
B Bottom Frame 1pcs.

Bottom frame could be single, double or triple.

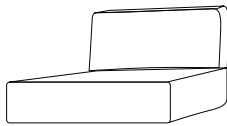


C Armrest&Backrest

number of armrest into the cardboard package might change according to the final set view.



D Seat & Back Cushion



E hexagon carriage bolt m8x33



F m10x60mm



G m6x22mm

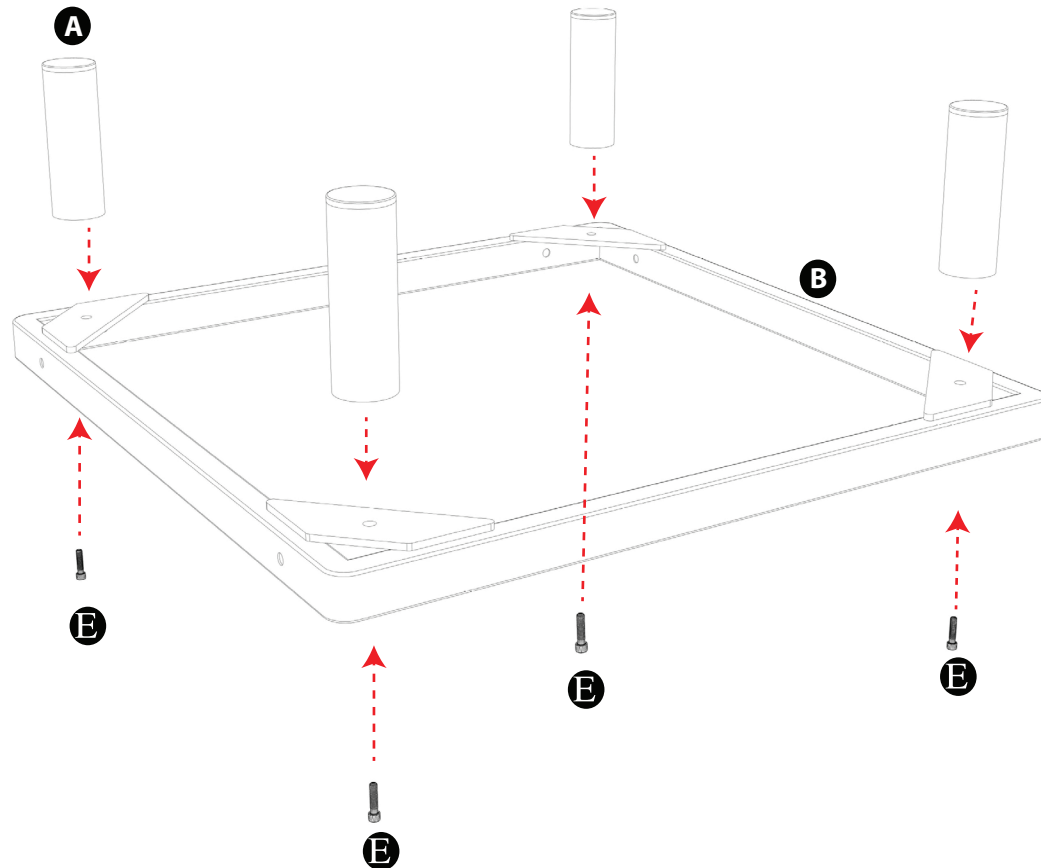


H connection part

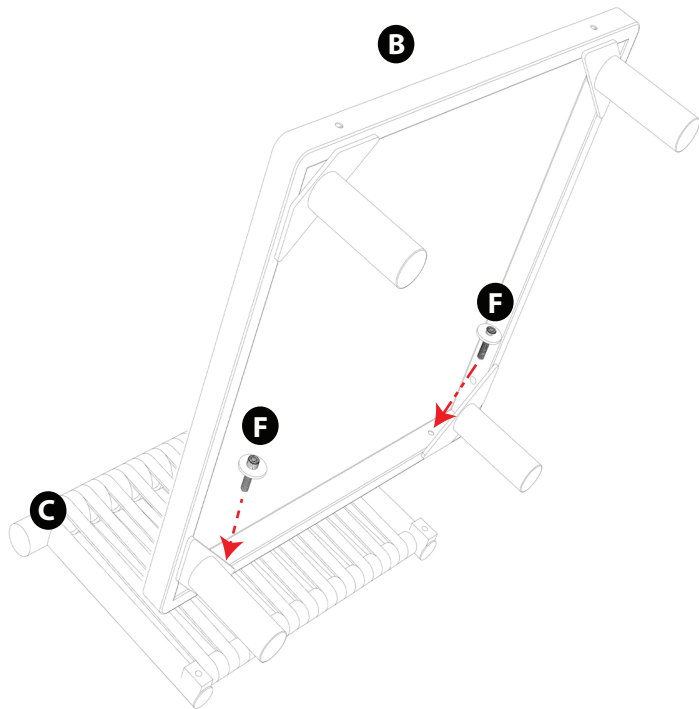


1

Fix the legs (A) to the bottom frame (B) with to help of m8x33.



- 2** Fix the only backrest (C) to the bottom frame (B) with to help of m10x60mm (F)



- 3** Fix the modules to each other with to help of connection part for corner structure.

