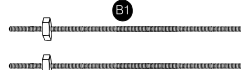


Material Identification



A
1 pcs.
plate

**Plate illustration is just a sample. Change for each one table base model.*



B1
B2
2 pcs.
threaded rod



C1
C2
2 pcs.
table column



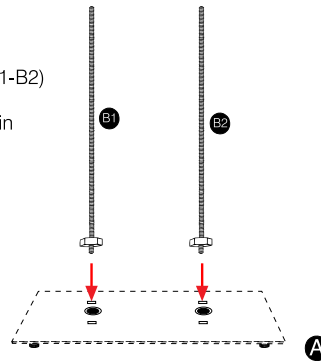
D
1 pcs
flange



E1
E2
2 pcs.
nut

1

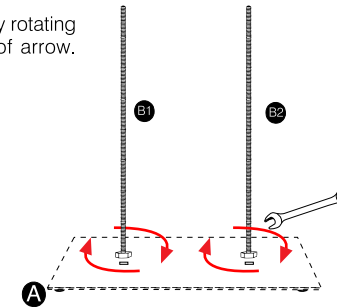
Locate the (B1-B2) threaded rod into the holes in (A) plate



With adjustable feet the balance could be regulated for the stable placing on the floor.

2

Tighten the nut by rotating in the direction of arrow.

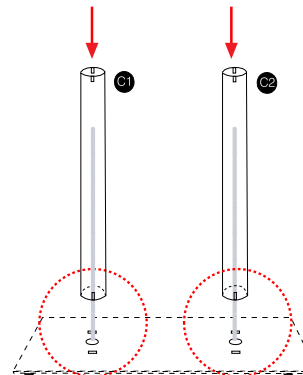


3

Locate the (C1-C2) column on (B1-B2) threaded rod.



Attention
Carefully attach the (C1-C2) table column to the (A) plate ! Make sure that the nails on the bottom part of the column fits correctly to the holes on the (A) plate.



4



Attention
End of assembly when fixing flange

- table base in vertical position screw down slightly flange to threaded rod by nut.
- Lie down the table base on the floor and completely screw down.

