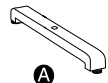
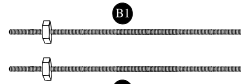


Material Identification

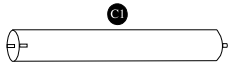


2 pcs.
leg profile

*illustration is just a sample. Change for each one table base model.



2 pcs.
threaded rod



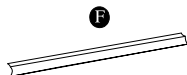
2 pcs.
table column



1 pcs
flange



2 pcs.
nut



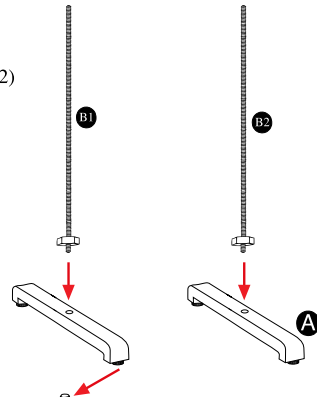
1 pcs.
middle part



2 pcs.
screws

1

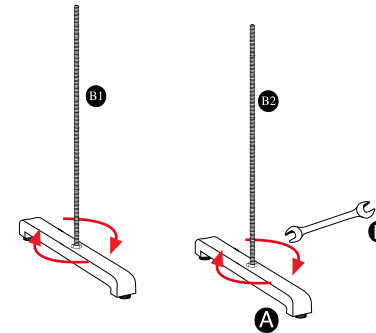
Locate the (B1-B2) threaded rod into the holes in (A) leg profile



With adjustable feet the balance could be regulated for the stable placing on the floor.

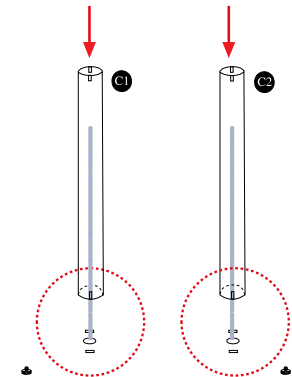
2

Tighten the nut by rotating in the direction of arrow.



3

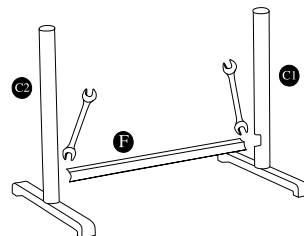
Locate the (C1-C2) column on (B1-B2) threaded rod.



Attention
Carefully attach the (C1-C2) table column to the (A) plate ! Make sure that the nails on the bottom part of the column fits correctly to the holes on the (A) plate.

4

Locate the middle part (F) between the columns(C1 - C2) then tighten the screws.



5



Attention

End of assembly when fixing flange

- table base in vertical position screw down slightly flange to threaded rod by nut.

- Lie down the table base on the floor and completely screw down.

